



Current collectors for bridge cranes

Sales catalog

E-M-A

Elektromehanika
Anton Murn s.p.

Bodešče 19
SI-4260 BLED
Slovenia

Mobile: +386 (0) 31 882 401
Email: info@e-m-a.si
Internet: www.e-m-a.si

Current collector for support implementation to 630A and 1000V

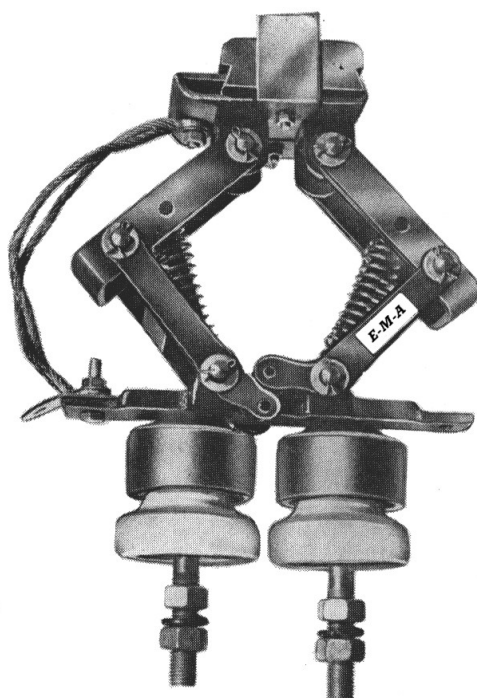
Contact part

Flat charcoal slider: ICP, I2CP (double), LCP, MCP

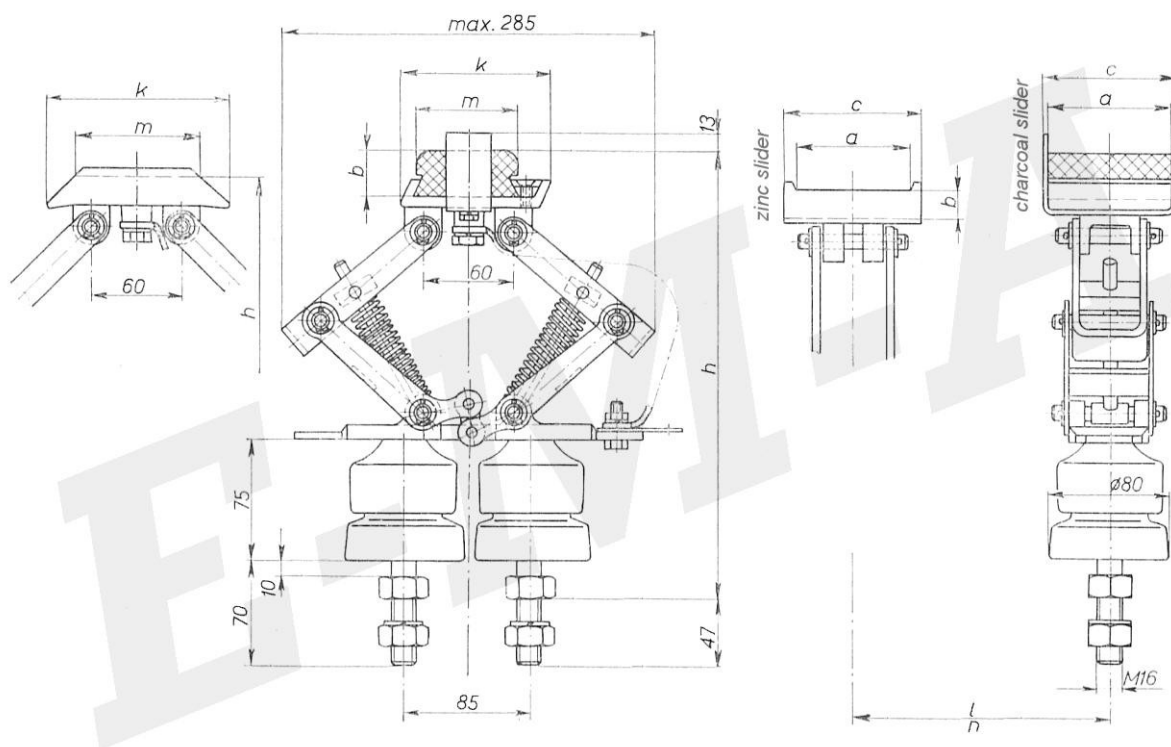
Flat zinc slider: IEP, LEP, MEP

Moving current collectors for fixed-loaded power lines, made of mechanical springs, without the possibility of setting.

APPLICATION: for a vertical or horizontal installation



| Contact part | TYPE | Rated current (A) | Working height h (mm) | Approx. weight (kg) | Max voltage (V) |
|----------------------|-------------------|-------------------|-----------------------|---------------------|-----------------|
| Flat charcoal slider | ICP - 100 | 100 | 235±45 | 5,65 | 1000 |
| | I2CP - 400 | 400 | | 6,10 | |
| | LCP - 200 | 200 | | 6,20 | |
| | MCP - 400 | 400 | | 6,35 | |
| Flat zinc slider | IEP-480 | 480 | 215±45 | 6,50 | |
| | LEP-550 | 550 | | 7,00 | |
| | MEP-630 | 630 | | 7,90 | |



Minimum spacing between current collectors:

l = current collectors in the same direction

n = current collectors indented one against the other (zig-zag)

| TYPE | Measurement in mm | | | | | Mounting distance in mm | | Spare part codes | |
|-------------------|-------------------|-----|------|-----|-----|-------------------------|-----|------------------|---------------|
| | a | b | m | c | k | l | n | A set of sliders | Contact parts |
| ICP - 100 | 80 | 30 | 70 | 84 | 98 | 120 | 120 | EK - 169 | ED - 168 |
| I2CP - 400 | | | 2×70 | | 170 | | | EK - 295 | ED - 168 |
| LCP - 200 | 80 | | 104 | 110 | 140 | | | EK - 178 | ED - 177 |
| MCP - 400 | 120 | 100 | 124 | 128 | 160 | EK - 182 | | ED - 181 | |
| IEP-480 | 80 | 20 | 80 | 90 | 120 | 120 | | - | ED - 185 |
| LEP-550 | 100 | | 100 | 110 | 145 | 140 | | - | ED - 186 |
| MEP-630 | 120 | | 120 | 130 | 162 | 160 | | - | ED - 187 |

Current collector for support implementation to 630A and 1000V

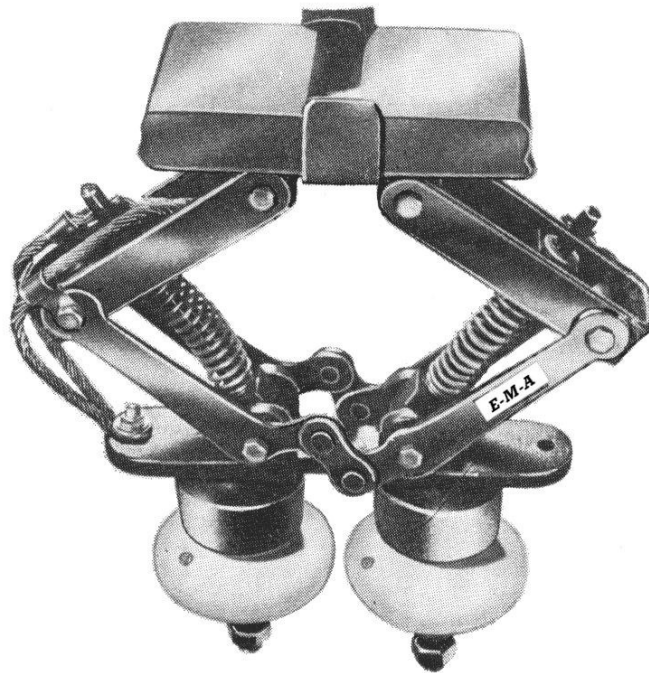
Contact part

Flat charcoal slider: NCP, OCP, O2CP (double), PCP

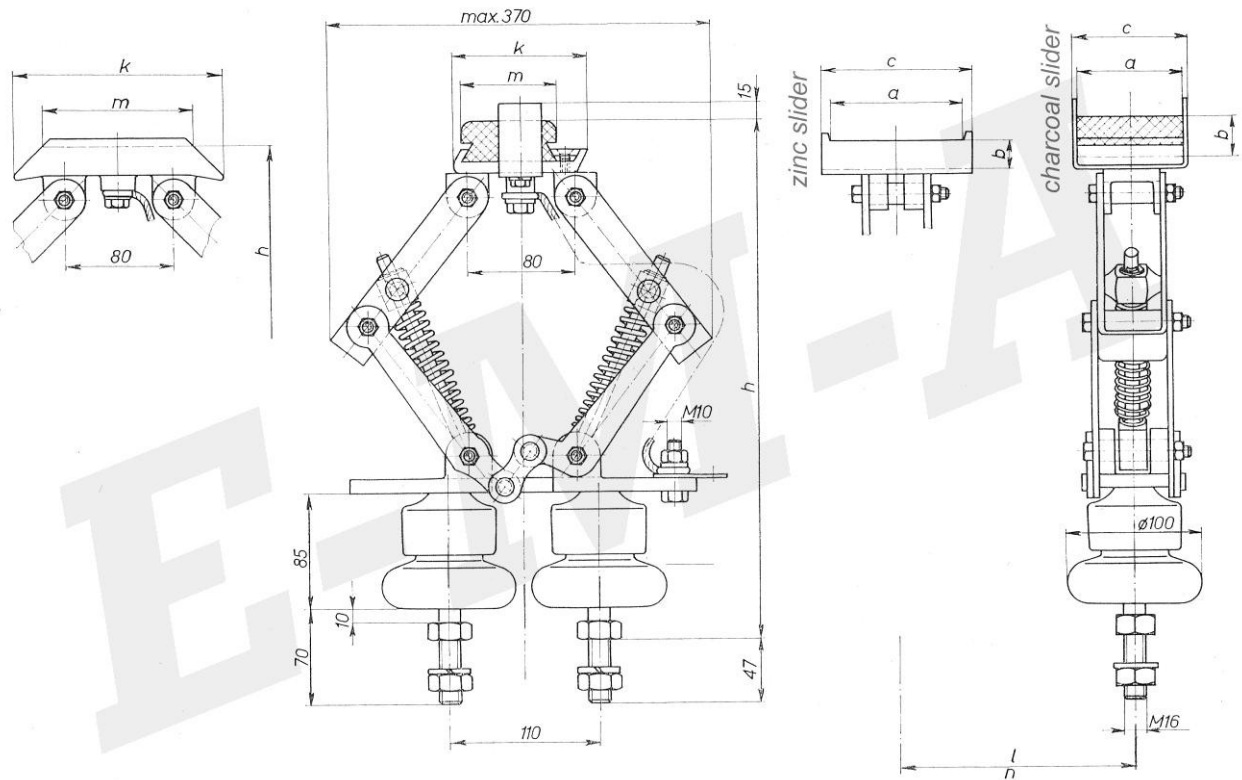
Flat zinc slider: NEP, OEP, PEP

Moving current collectors for fixed-loaded power lines, made of mechanical springs, without the possibility of setting.

APPLICATION: for a vertical or horizontal installation



| Contact part | TYPE | Rated current (A) | Working height h (mm) | Approx. weight (kg) | Max voltage (V) |
|----------------------|-------------------|-------------------|-----------------------|---------------------|-----------------|
| Flat charcoal slider | NCP - 200 | 200 | 310±60 | 7,65 | 1000 |
| | OCP - 200 | | | 7,75 | |
| | O2CP - 400 | 400 | | 8,30 | |
| | PCP - 400 | | 315±60 | 8,45 | |
| Flat zinc slider | NEP-480 | 480 | 290±60 | 8,40 | |
| | OEP-550 | 550 | | 8,90 | |
| | PEP-630 | 630 | | 10,00 | |



Minimum spacing between current collectors:

l = current collectors in the same direction

n = current collectors indented one against the other (zig-zag)

| TYPE | Measurement in mm | | | | | Mounting distance in mm | | Spare part codes | |
|-------------------|-------------------|----|------|-----|-----|-------------------------|-----|------------------|--------------|
| | a | b | m | c | k | l | n | A set of sliders | Contact part |
| NCP - 200 | 80 | 30 | 70 | 84 | 100 | 120 | 120 | EK - 201 | ED - 168 |
| OCP - 200 | 100 | | 120 | 104 | 150 | 140 | | EK - 202 | ED - 203 |
| O2CP - 400 | | | 2×80 | | 194 | | | EK - 291 | ED - 177 |
| PCP - 400 | 120 | 35 | 140 | 124 | 170 | 160 | | EK - 204 | ED - 205 |
| NEP-480 | 80 | 20 | 100 | 92 | 144 | 120 | | - | ED - 206 |
| OEP-550 | 100 | | 110 | 112 | 154 | 140 | | - | ED - 207 |
| PEP-630 | 120 | | 130 | 132 | 172 | 160 | | - | ED - 208 |

Current collector for support implementation to 630A and 1000V

Contact part

Flat charcoal slider: RCP, VCP, ZCP

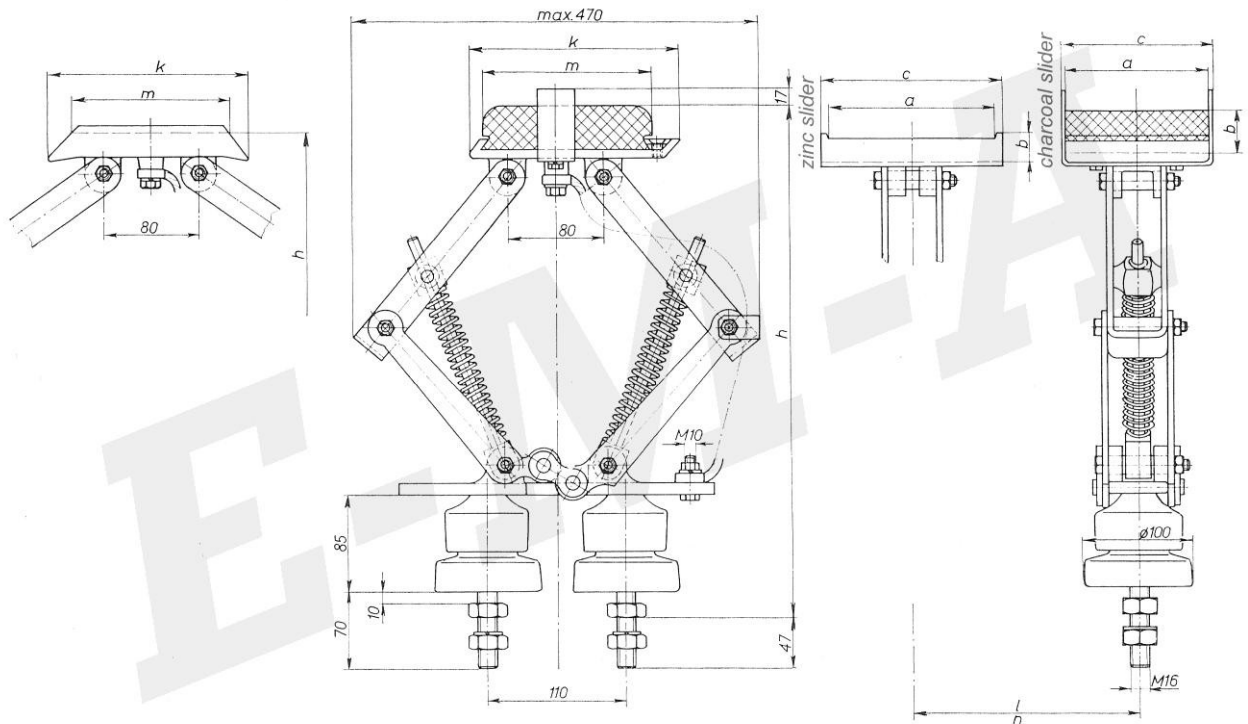
Flat zinc slider: REP, VEP, ZEP

Moving current collectors for fixed-loaded power lines, made of mechanical springs, without the possibility of setting.

APPLICATION: for a vertical or horizontal installation



| Contact part | TYPE | Rated current (A) | Working height (mm) | Approx. weight (kg) | Max voltage (V) |
|----------------------|------------------|-------------------|---------------------|---------------------|-----------------|
| Flat charcoal slider | RCP - 400 | 400 | 330±80 | 8,85 | 1000 |
| | VCP - 400 | | | 10,65 | |
| | ZCP - 400 | | | 10,65 | |
| Flat zinc slider | REP - 480 | 480 | 310±80 | 10,25 | |
| | VEP - 550 | 550 | | 10,75 | |
| | ZEP - 630 | 630 | | 11,75 | |



Minimum spacing between current collectors:

l = current collectors in the same direction

n = current collectors indented one against the other (zig-zag)

| TYPE | Measurement in mm | | | | | Mounting distance in mm | | Spare part codes | |
|------------------|-------------------|----|-----|-----|-----|-------------------------|-----|------------------|---------------|
| | a | b | m | c | k | l | n | A set of sliders | Contact parts |
| RCP - 400 | 120 | 35 | 140 | 124 | 170 | 180 | 150 | EK - 204 | ED - 205 |
| VCP - 400 | 140 | | 180 | 144 | 210 | 200 | | EK - 216 | ED - 218 |
| ZCP - 400 | 180 | | 140 | 184 | 170 | 240 | | EK - 220 | ED - 222 |
| REP - 480 | 120 | 20 | 130 | 132 | 172 | 180 | | - | ED - 208 |
| VEP - 550 | 140 | | 130 | 152 | 174 | 200 | | - | ED - 224 |
| ZEP - 630 | 180 | | 140 | 192 | 188 | 240 | | - | ED - 225 |

Current collector for support implementation to 1200A and 1000V

Contact part

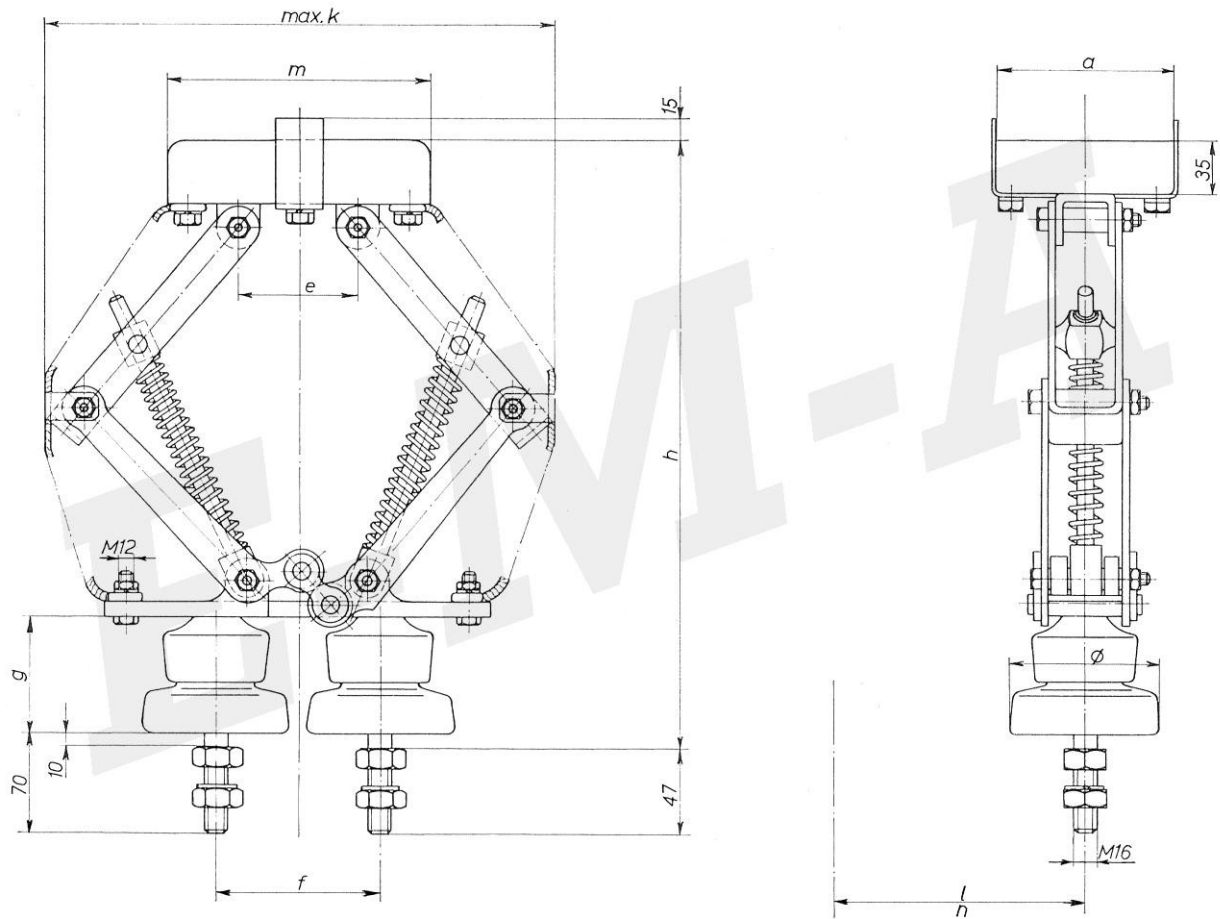
Flat metal charcoal slider: LBGP, MBGP, OBG, PBGP, RBGP, ZBGP

Moving current collectors for fixed-loaded power lines, made of mechanical springs, without the possibility of setting.

APPLICATION: for a vertical installation



| Contact part | TYPE | Rated current (A) | Working height h (mm) | approx. weight (kg) | Max voltage (V) |
|----------------------------|--------------------|-------------------|-----------------------|---------------------|-----------------|
| Flat metal charcoal slider | LBGP - 600 | 600 | 235±45 | 7,50 | 1000 |
| | MBGP - 800 | 800 | | 8,00 | |
| | OBGP - 800 | | 310±60 | 9,00 | |
| | PBGP - 1000 | 1000 | 10,00 | | |
| | RBGP - 1000 | | 325±80 | 11,00 | |
| | ZBGP - 1200 | 1200 | | 12,20 | |



Minimum spacing between current collectors:

l = current collectors in the same direction

n = current collectors indented one against the other (zig-zag)

| TYPE | Measurement in mm | | | | | | | Mounting distance in mm | | Spare part codes |
|--------------------|-------------------|-----|-----------|-----|----|-----|-----|-------------------------|-----|------------------|
| | a | m | k | e | f | g | Φ | l | n | |
| LBGP - 600 | 80 | 120 | 285 | 60 | 85 | 75 | 80 | 120 | 120 | EK - 301 |
| MBGP - 800 | | 140 | | | | | | | | EK - 311 |
| OBGP - 800 | | 370 | EK - 311a | | | | | | | |
| PBGP - 1000 | 100 | 160 | 80 | 110 | 85 | 100 | 100 | 140 | 150 | EK - 312 |
| RBGP - 1000 | | | | | | | | 160 | | |
| ZBGP - 1200 | 120 | 180 | 470 | | | | | 180 | | EK - 313 |

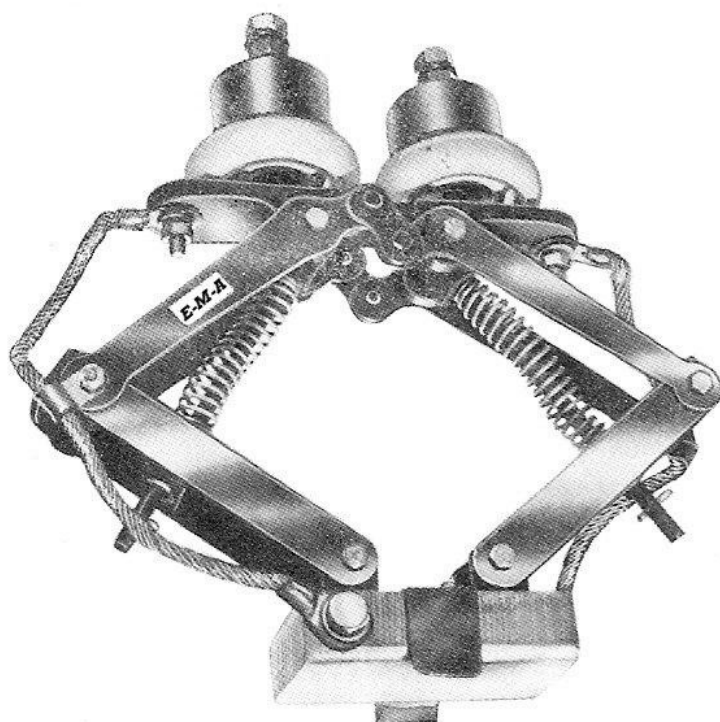
Current collector for support implementation to 1200A and 1000V

Contact part

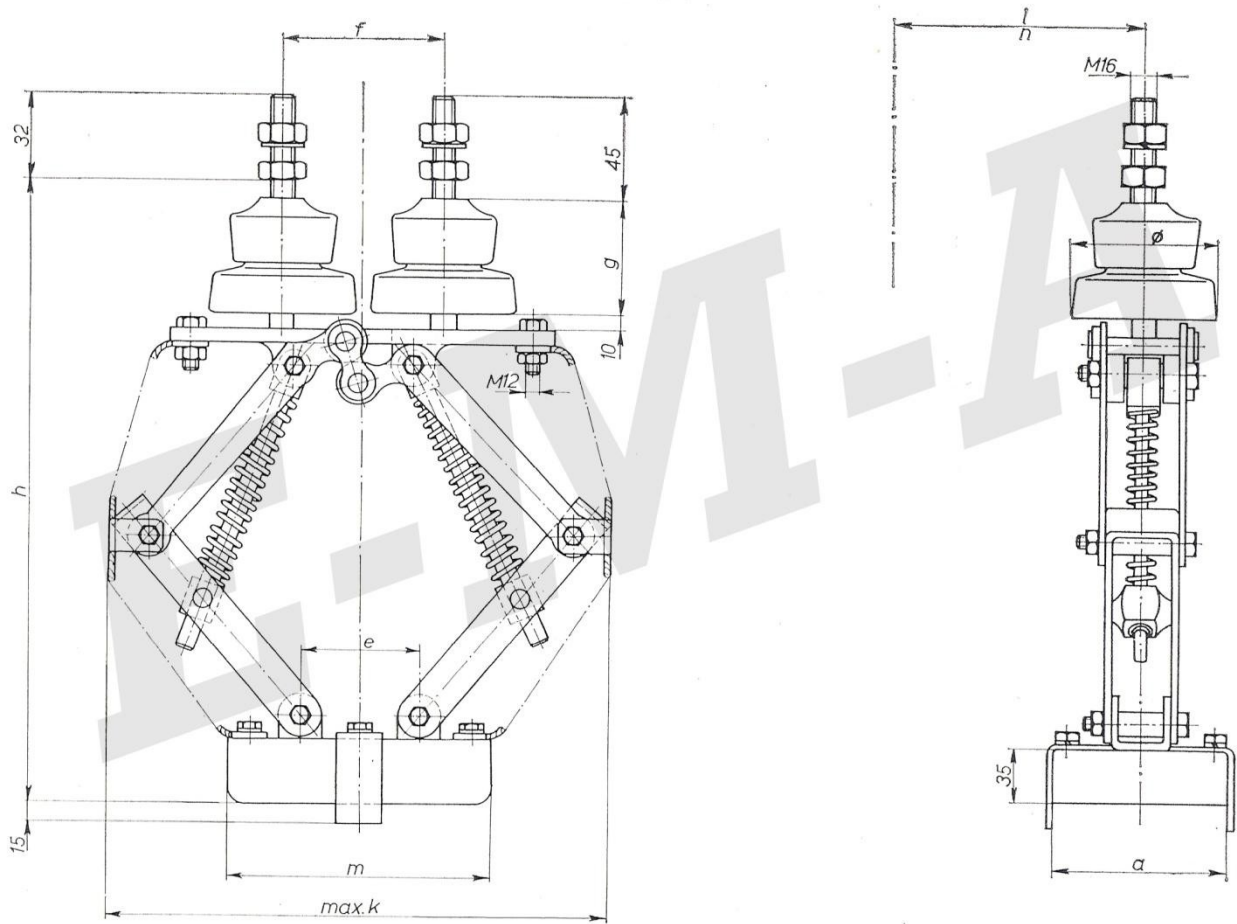
Flat metal charcoal slider: LBGV, MBGV, OBGV, PBGV, RBGV, ZBGV

Moving current collectors for fixed-loaded power lines, made of mechanical springs, without the possibility of setting.

APPLICATION: for hanging installation.



| Contact part | TYPE | Rated current (A) | Working height h (mm) | Approx. weight (kg) | Max voltage (V) |
|----------------------------|--------------------|-------------------|-----------------------|---------------------|-----------------|
| Flat metal charcoal slider | LBGV - 600 | 600 | 235±45 | 7,50 | 1000 |
| | MBGV - 800 | 800 | | 8,00 | |
| | OBGV - 800 | | 1000 | 9,00 | |
| | PBGV - 1000 | 315±60 | | 10,00 | |
| | RBGV - 1000 | 330±80 | 11,00 | | |
| | ZBGV - 1200 | | 1200 | 12,20 | |



Minimum spacing between current collectors:

l = current collectors in the same direction

n = current collectors indented one against the other (zig-zag)

| TYPE | Measurment in mm | | | | | | | Mounting distance in mm | | Spare part codes |
|--------------------|------------------|-----|-----------|----|-----|----|-----|-------------------------|-----|------------------|
| | a | m | k | e | f | g | Φ | l | n | |
| LBGV - 600 | 80 | 120 | 285 | 60 | 85 | 75 | 80 | 120 | 120 | EK - 301 |
| MBGV - 800 | | 140 | | | | | | | | EK - 311 |
| OBGV - 800 | | 370 | EK - 311a | | | | | | | |
| PBGV - 1000 | 100 | 160 | 470 | 80 | 110 | 85 | 100 | 140 | 150 | EK - 312 |
| RBGV - 1000 | | | | | | | | 160 | | EK - 313 |
| ZBGV - 1200 | 120 | 180 | | | | | | 180 | | |

WHERE ARE WE:

Bodešče 19
SI-4260 BLED
Slovenia

GPS coordinates:

longitude: 14,13484887

latitude: 46,34621911

